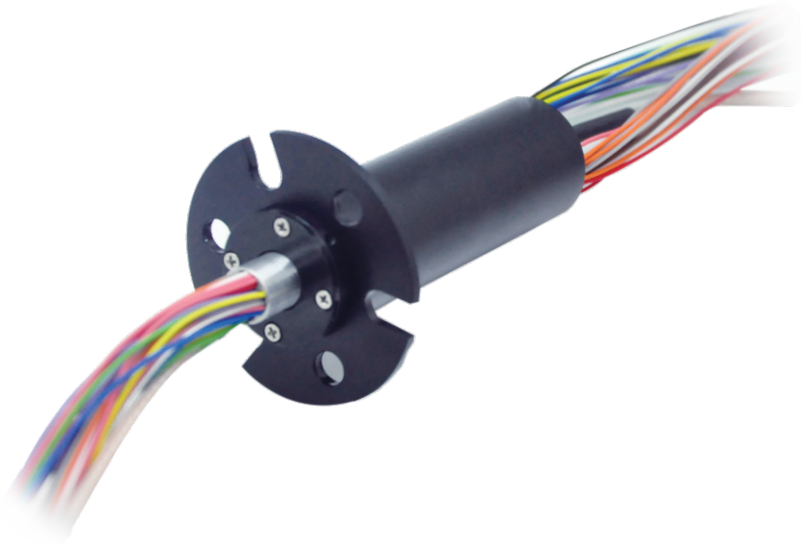


## High Definition Slip Rings



AOOD high definition video slip rings are to provide HD-SDI video communication in combination with power and data connections from a stationary part to a rotating part, they provide a 360° free interface solution for television, broadcast, surveillance and VR systems etc.

Utilizing RF and gold on gold fiber brush contact technology, AOOD HD-SDI slip rings feature very stable HD-SDI and 3G-SDI video transmission capability, superior electrical performance, compact and robust configuration. The coax cable is easily to terminate with a BNC/SMA connector for installation. 50/75 ohm coax is available. Our existing units include 1 and 2 channels HD-SDI slip rings, electrical wires up to 56, a combination of one or two Ethernet channels is available.

### Features

- Compatible with:
  - SMPTE 259 M (SD-SDI, 270Mbps)
  - SMPTE 292 M (HD-SDI, 1.485Gbps)
  - SMPTE 424 M (3G-SDI, 2.97Gbps)
- Available with various combinations of Ethernet, 5 amp and 10 amp connections
- Sealing to dust and light fluid splash available
- Gold on gold contact

### Advantages

- Compact packaging
- Low electrical noise, low drive torque
- Long lifetime and maintenance-free

### Typical Applications

- Motion control
- Rotating high definition video displays
- High definition video security
- Pan / tilt systems
- Camera jibs

High Definition Slip Rings									
Model	Channels				Current(amps)		Voltage (VAC)	Size DIA × L (mm)	Speed (RPM)
	Electrical	HD-SDI	100M Ethernet	Gbit Ethernet	2	5			
ADC12-SDI	12	1			×		120	24.8 × 26.7	300
ADC18-SDI	18	1			×		120	22 × 30.3	300
ADC24-SDI	24	1			×		120	32.8 × 41.7	300
ADC36-SDI	36	1			×		120	22 × 70	300
ADC56-SDI	56	1			×		120	25.4 × 115	300
ADC14-SDI-E	14	1	1		×		120	22 × 30.3	300
ADC10-SDI-2E	10	1		1	×		120	22 × 30.3	300
ADC32-SDI-E	32	1	1		×		120	22 × 70	300
ADC28-SDI-2E	28	1		1	×		120	22 × 70	300
ADC56-2SDI	56	2			×		120	25.4 × 115	300
ADC48-2SDI-E	48	2	1		×		120	25.4 × 115	300
ADC44-2SDI-2E	44	2		1	×		120	25.4 × 115	300

Remark: 5A or 10A is optional, compatible with various communication protocols.

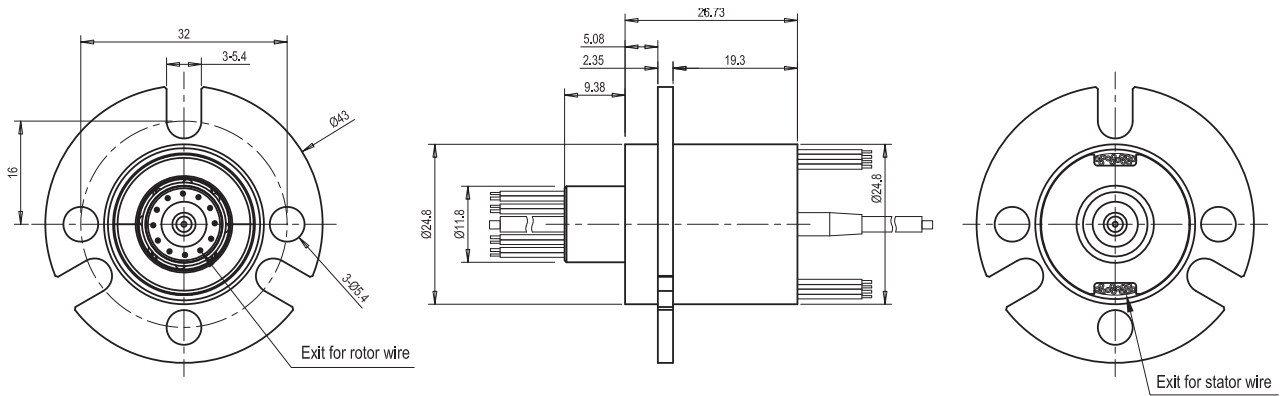
## Specification

Electrical	
Voltage	120VAC on standard circuits
Rating Current	2A (5A or higher optional)
Insulation Resistance	500MΩ@ 500VDC
Electric Noise	20mΩ max
Dielectric Strength	500VAC @ 50Hz
Mechanical	
Operating Speed	300 rpm
Torque	<0.01 N*M
Life	10,000,000 revolutions
Material	
Contact Material	Gold on gold
Lead Wires	300mm AWG#28 Teflon wires
Housing	ABS plastic or alluminium alloy

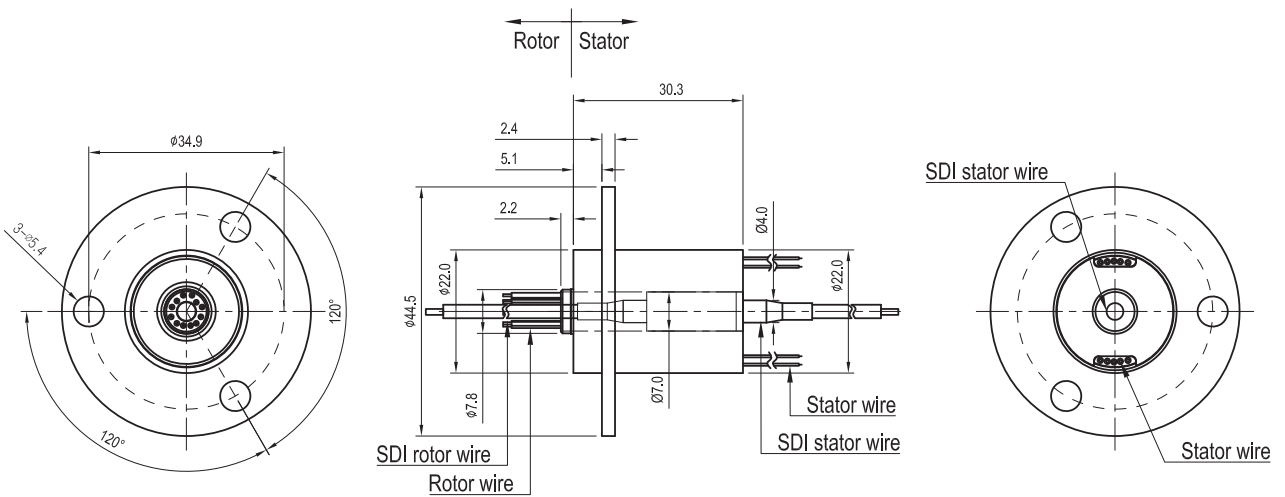
Environmental	
Working Temperature	-40°C~ +80°C
Storage Temperature	-45°C~ +85°C
Humidity	95±3% ( 30°C+5°C )
Protection	IP54
Vibration	MIL-STD-810G
Shock	MIL-STD-810G
Options	

- Lead wires length
- Higher current / voltage
- Flange/ no flange
- Higher protection

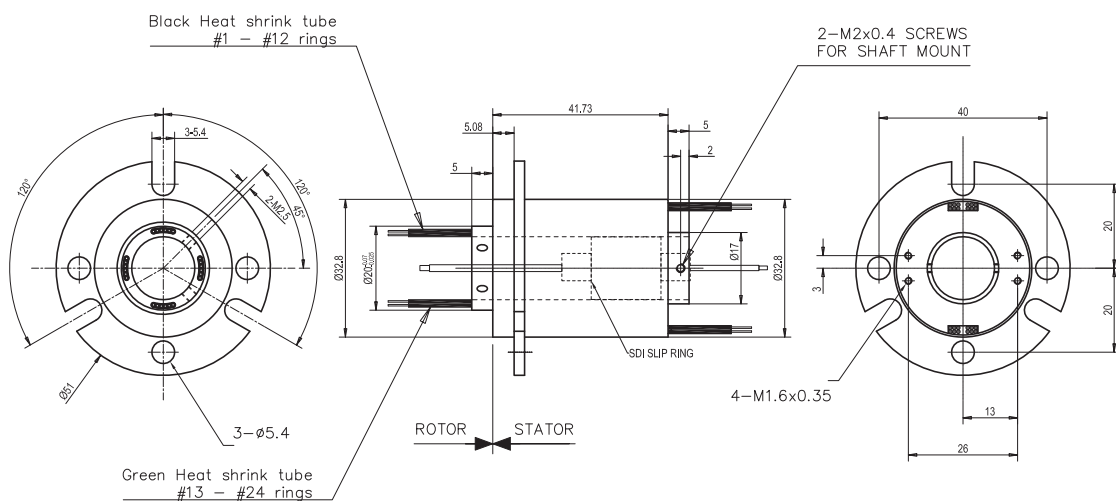
► ADC12-SDI



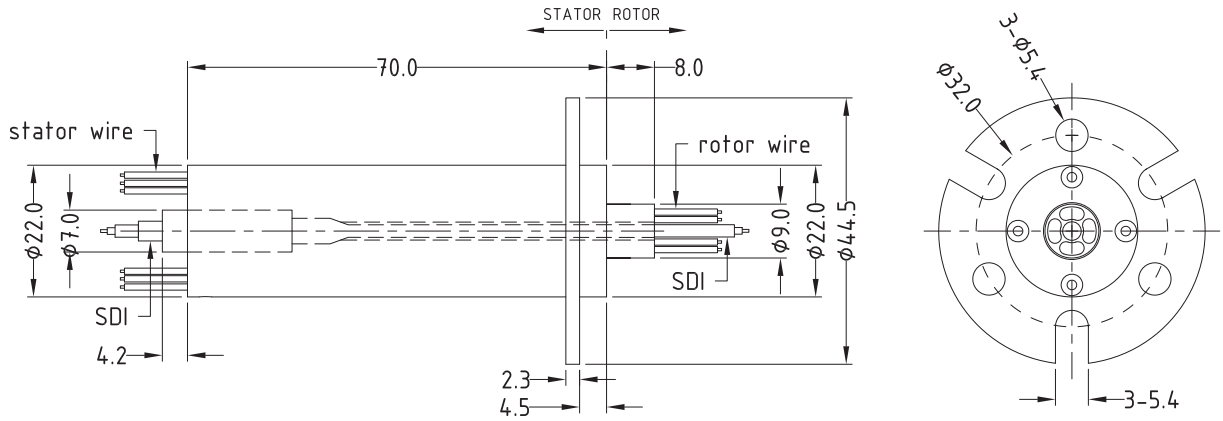
► ADC18-SDI



► ADC24-SDI



► ADC36-SDI



► ADC56-SDI

