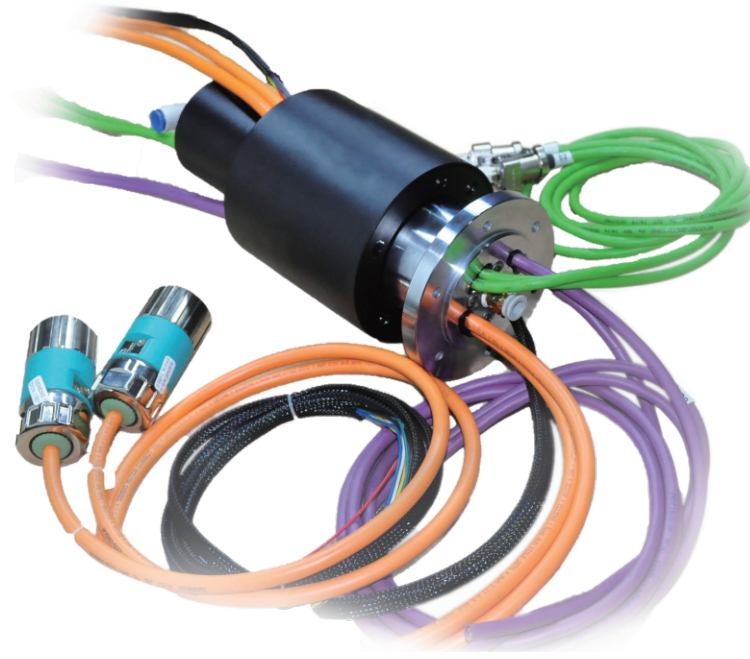


Servo System Slip Rings



Servo drive systems are an important part of modern motion control and widely used in automatic equipment such as industrial robots and rotary tables, their power, signals and data need to be transmitted from the fixed platform to the rotary platform through a slip ring. But due to the interference of encoder signals, common electrical slip rings are easily to cause errors and shutdown the whole system.

AOOD servo system slip rings utilize fiber brush technology and innovative multiple independent modular design for stable transmission, long lifetime and maintenance-free operation. They provide pneumatic channel, power, high speed data, I/O interface, encoder signal, control and other signals connections for the system, have been tested and proven compatible with SIEMENS, Schneider, YASKAWA, Panasonic, Mitsubishi, DELTA, OMRON, Keba , Fagor etc. motor drives.

Features

- Suitable for SIEMENS, Schneider, YASKAWA, Panasonic, Mitsubishi etc. servo drive systems
- Compatible with various communication protocols
- Provide power, signal and pneumatic channels together
- 8mm, 10mm, 12mm air channel size optional
- Higher sealing protect optional
- Stainless steel housing available

Advantages

- Strong anti-interference capability
- Flexible combination of power, data and air/fluid lines
- Easy to mount
- Long lifetime and maintenance-free

Typical Applications

- | | |
|---------------------|------------------------------|
| ■ Packaging systems | ■ Lithium battery machinery |
| ■ Industrial robots | ■ Laser processing equipment |
| ■ Rotary tables | |

Servo System Slip Rings

Model	Channels		Current(amps)			Voltage(VAC)	Size DIA × L(mm)	Bore DIA (mm)	Speed RPM
	Electrical	Air	2	5	10				
ADSR-T25F-6&12mm	6	1	×		×	240	78 × 77.8		300
ADSR-T25-24P1E	33	0	×		×	380	78 × 142	25.4	300
ADSR-T25S-36&10mm	36	1		×	×	380	78 × 169.6		300
ADSR-T25F-12P48S&8mm	60	1	×	×	×	380	85 × 180		300
ADSR-T25F-90&8mm	90	1	×		×	380	99 × 316.8		300

Remark: Pneumatic channel size is optional.

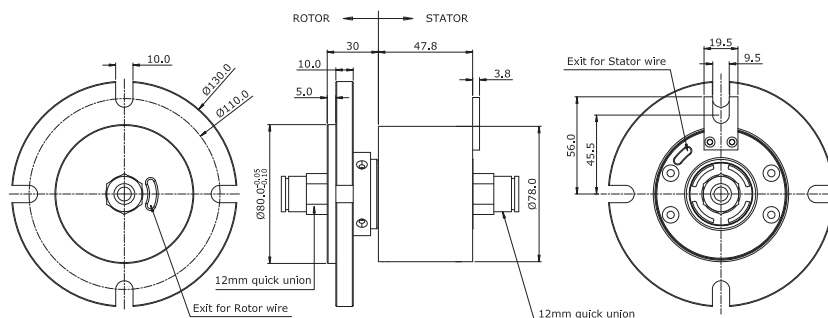
Specification

Electrical	
Voltage	120VAC / 240VAC / 380VAC
Rating Current	2 ~ 60A
Circuits	6 ~ 180
Insulation Resistance	500MΩ@ 500VDC
Electric Noise	20mΩ max
Dielectric Strength	500VAC @ 50Hz
Mechanical	
Operating Speed	300 rpm
Torque	< 2 ~ 10 N*M
Life	50,000,000 revolutions
Material	
Contact Material	Precious metal
Lead Wires	Teflon wires
Housing	Alluminum alloy

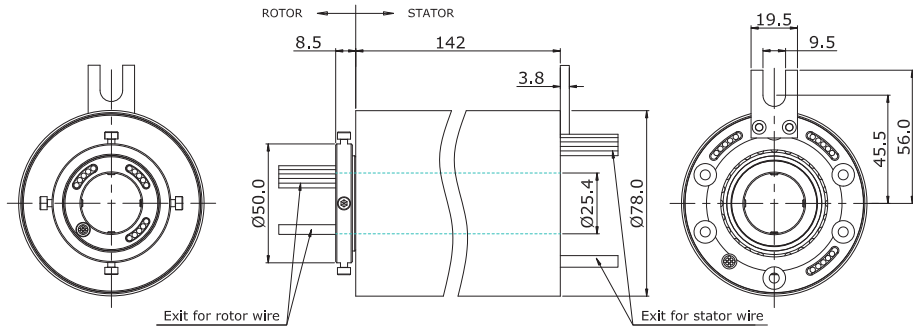
Pneumatic	
Air Tube	4 ~ 12mm
Air Pressure	0.1 ~ 3MPa
Environmental	
Working Temperature	-40°C ~ +80°C
Storage Temperature	-45°C ~ +85°C
Humidity	95±3% (30°C+5°C)
Protection	IP54
Options	

- Lead wires length
- flange/ no flange
- Higher protection
- Stainless steel housing

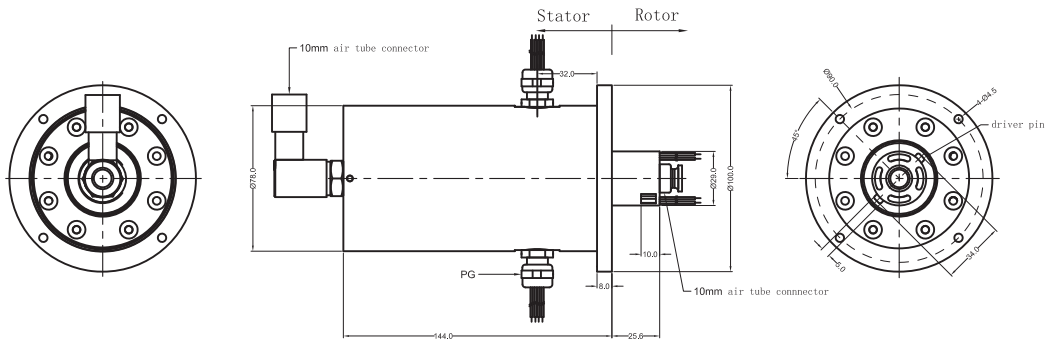
▶ ADSR-T25F-6&12mm



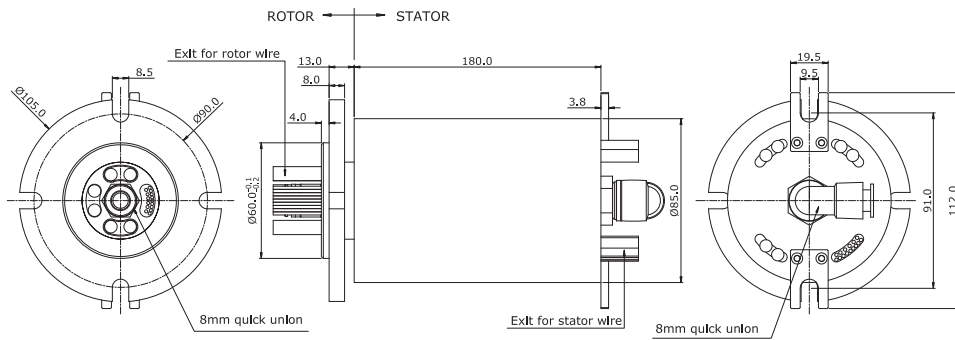
► ADRS-T25-24P1E



► ADRS-T25S-36&10mm



► ADRS-T25F-12P48S&8mm



► ADRS-T25S-90&8mm

