

Coin Copper Pancake Slip Rings



Pancake slip rings are designed for those have very limited height space but less limitation on diameter applications, also called platter separate slip rings or disc slip rings, they can utilize the existing bearings in the system to minimize the assembly height. In other words, a pancake slip ring can be without bearings.

A pancake slip ring consist of a ring part and a matching brush block/board upon the requirement, and a specified through bore for shaft mounting. AOOD provides two types of pancake slip rings: PCB type slip rings and coin copper type slip rings.

Coin copper type pancake slip rings are vacuum molded from epoxy resin and have robust configuration, their sizes can be small or very large, are often used in CT scanner, radar pedestal and processing machinery. In some extremely limited height applications, both sides of the ring part can be vacuum molded to provide double power and signal rings for the system, moreover multiple platter slip rings can be used in the same system.

Features

- Coin copper + gold plated rings
- Enclosed type or separate type optional
- Through bore for shaft mounting
- Robust configuration for vibration and shock environment
- Flexible power and signal combination
- Simple installation
- IP54 or IP65 optional
- Lead wire or connector contacts

Advantages

- Suits applications with minimal available height space
- Can utilize existing bearing system
- Custom configuration to suit specific application
- Reliable transmission and long lifetime

Typical Applications

- Process machinery
- Medical equipment
- Luggage scanners
- Cranes
- Industrial 3D imaging equipment
- Test and measurement equipment

PCB Pancake Slip Rings

PCB type pancake slip rings are built on a PCB type ring and a matching brush block, they utilizing the existing bearing system to provide minimum installation height, have obvious price advantage on massive production.

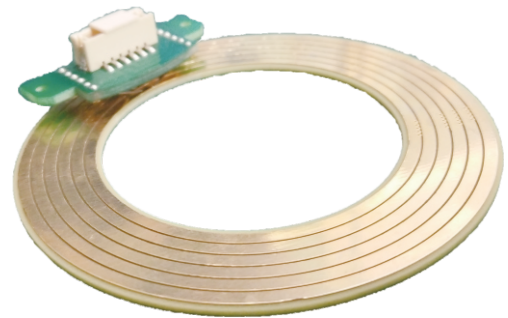
They are ideal power & signal transmission solutions for requiring limited thickness mechanical systems, e.g. rotating tables and seat positions. AOOD provides two standard series PCB type units:

For signal transmission PCB type pancake slip rings, each ring rated 2A ma, specially designed to transfer signal or lower current, provide smaller outer diameter and installation height.

For power transmission PCB type pancake slip rings, each ring rated 10A max, can transfer both power and signal, rings can be designed on single side or double- sided of the PCB to provide a thinner thickness.

PCB type pancake slip rings for signal transmission

- Gold plated PCB type ring
- 0 ~48 ways
- Max speed 300rpm
- Max 2A per way
- Inner diameter 0~ 250mm
- Outer diameter 20 ~300mm
- Voltage 60VDC

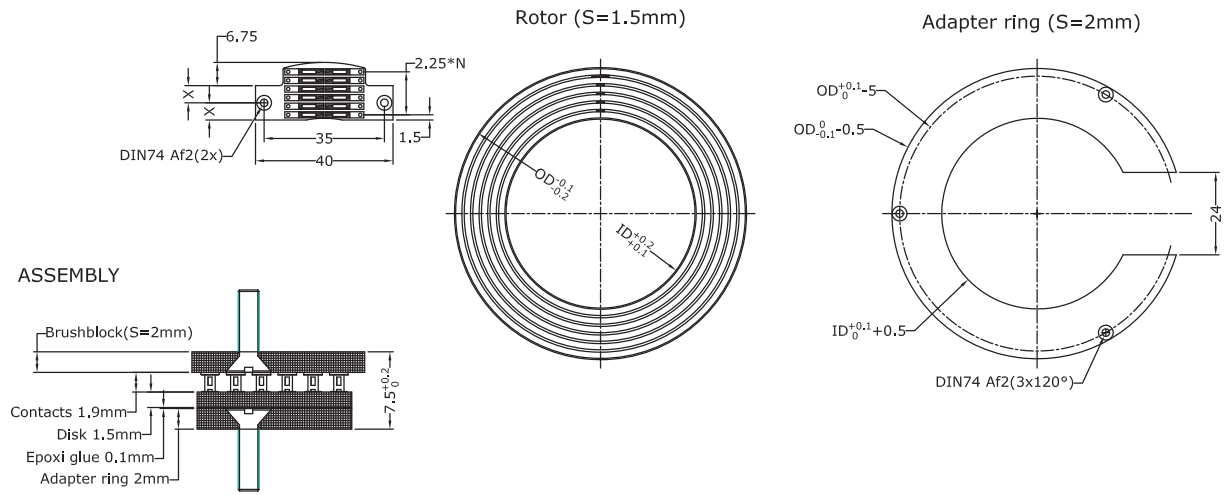


Model	ID(mm)	OD(mm)	Height(mm)	Ways
ADSR-PP20-4	20	41	5.5	4
ADSR-PP30-4	30	51	5.5	4
ADSR-PP50-6	50	80	5.5	6
ADSR-PP70-12	70	127	5.5	12
ADSR-PP20-12	100	157	5.5	12
ADSR-PPAB-CD	customized	ID+3+ways*4.5	5.5	customized

Electrical	
Voltage	60VDC
Rating Current	Max 2A per way
Insulation Resistance	200MΩ@ 500VDC
Electric Noise	Max 20mΩ
Dielectric Strength	500VAC @ 50Hz
Contact Material	Gold on gold

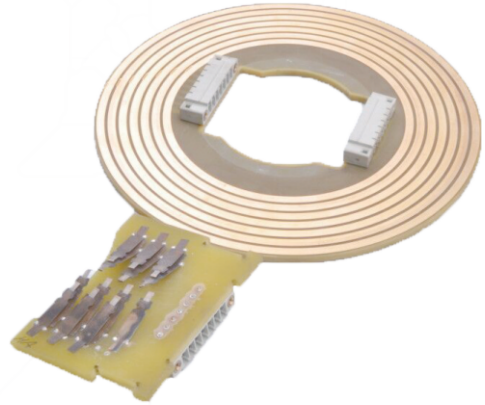
Mechanical	
Operating Speed	Max 200 rpm
Protection	IP00
Working Temperature	-30°C~ +80°C
Torque	<2 g.cm/way
Rotor / Stator Connection	Customized(leads or connector)

► Dimensions



PCB type pancake slip rings for power transmission

- Gold plated PCB type ring & fiber brushes
- 0 ~48 ways
- Max speed 200rpm
- Max 10A per way
- Inner diameter 0~ 250mm
- Outer diameter 20 ~300mm
- Voltage 240VAC
- Transfer both signal and power
- Double- sided rings design available for thinner thickness

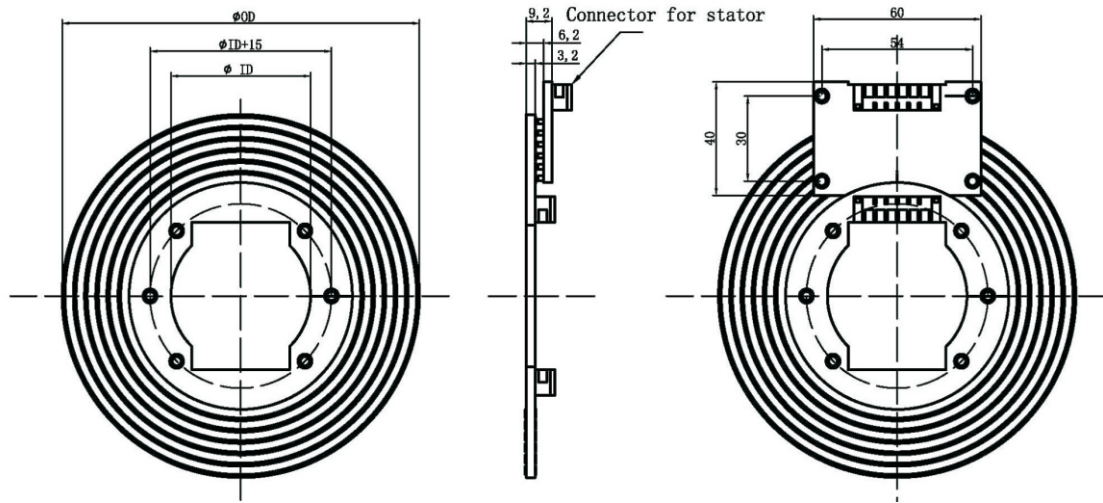


Model	ID(mm)	OD(mm)	Height(mm)	Ways	Option
ADSR-PP20-4-S	20	82	9.2	4	Single side
ADSR-PP20-4-D		66	15.2		Doublesided
ADSR-PP30-4-S	30	92	9.2	4	Single side
ADSR-PP30-4-D		76	15.2		Doublesided
ADSR-PP50-6-S	50	128	9.2	6	Single side
ADSR-PP50-6-D		104	15.2		Doublesided
ADSR-PP70-12-S	70	196	9.2	12	Single side
ADSR-PP70-12-D		148	15.2		Doublesided
ADSR-PP100-12-S	100	226	9.2	12	Single side
ADSR-PP100-12-D		178	15.2		Doublesided
ADSR-PPAB-CD-S	customized	ID+30+ways*8	9.2	customized	Single side
ADSR-PPAB-CD-D		ID+30+ways*4	15.2		Doublesided

Electrical	
Voltage	240VDC
Rating Current	Max 10A per way
Insulation Resistance	1000MΩ@ 500VDC
Electric Noise	Max 20mΩ
Dielectric Strength	500VAC @ 50Hz
Contact Material	Gold on gold

Mechanical	
Operating Speed	Max 200 rpm
Protection	IP00
Working Temperature	-30°C~ +80°C
Torque	<2 g.cm/way
Rotor / Stator Connection	Customized(leads or connector)

Single side contact



Double side contact

