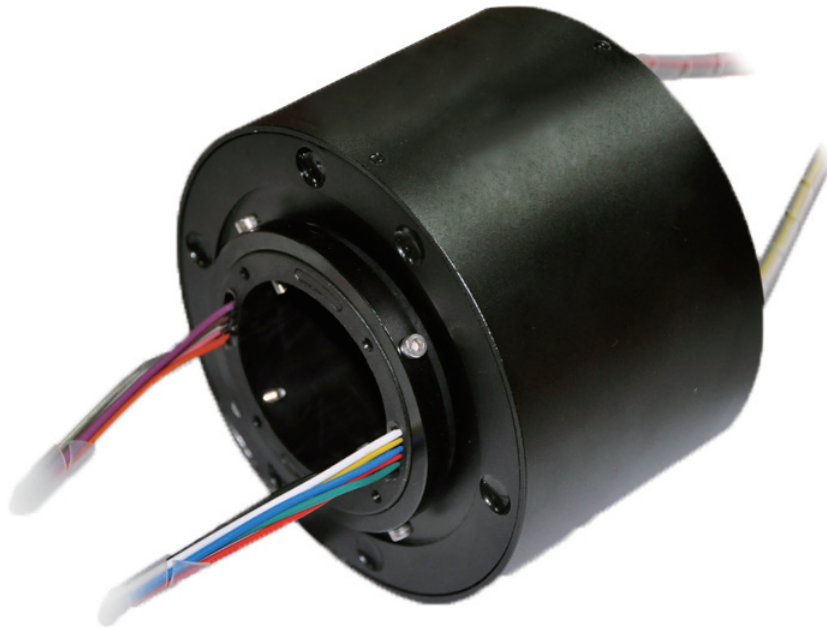


Through Bore Slip Rings



A through bore slip ring allows 360° free transmission of power, signal / data from a stationary device to a rotary device while provides routing space in the center for hydraulic/ pneumatic lines or shaft mounting. The central through bore space also can be integrated with a FORJ or coaxial rotary joint to provide an integrated solution for the system. AOOD provide 3mm to 190mm standard through bore design to meet the need of different applications, including 3mm, 7mm and 12mm bore miniature through bore slip rings to satisfy some systems' mounting and low current or signal / data transfer requirement. Larger diameter or high protection solutions can be customized. Robust configuration and low noise low wear multi-points contact fiber brush technology allows it to be the ideal slip ring solution in both industrial and military fields.

Features

- 3mm to 190mm through bore optional
- Up to 800 circuits
- Compatible with various data protocols
- Capable of handling high current or high power circuits
- Flexible combination of power and signal transfer
- Standard collar mounting or custom flange mounting optional

Advantages

- Can transmit multiple signals / data and high currents simultaneously
- Modular design to meet the specific requirements
- Rugged structure and steady transmission
- Maintenance-free and long lifetime

Typical Applications

- Packaging and wrapping machinery
- Semiconductor handling systems
- Robotics
- Heavy equipment turrets
- Cable reels
- Palletizing machines

Through Bore Slip Rings											
Model	Rings	Rated Current			Rated Voltage			Size		Bore	Speed
		2A	5A	10A	120V	240V	380V	OD (mm)	L (mm)	ID (mm)	RPM
ADSR-F7-12	12	x			x			24.8	26.7	7	300
ADSR-F15-24	24	x			x			32.8	41.7	15	300
ADSR-T12	6		x			x		55	33.8	12.7	300
	12		x			x			47.6		300
	18		x			x			61.4		300
	24		x			x			75.2		300
ADSR-T25A	6			x			x	78	48	25.4	300
	12			x			x		72		300
	18			x			x		96		300
	24			x			x		120		300
ADSR-T25C	6		x			x		78	37	25.4	300
	12		x			x			49		300
	18		x			x			61		300
	24		x			x			73		300
	36		x			x			97		300
ADSR-T38A	6			x			x	99	48	38.1	300
	12			x			x		72		300
	18			x			x		96		300
	24			x			x		120		300
ADSR-T38C	6		x			x		99	37	38.1	300
	12		x			x			49		300
	18		x			x			60		300
	24		x			x			73		300
	36		x			x			97		300
ADSR-T50A	6			x			x	119	54	50	300
	12			x			x		78		300
	18			x			x		102		300
	24			x			x		126		300
ADSR-T50C	6		x			x		119	43	50	300
	12		x			x			55		300
	18		x			x			67		300
	24		x			x			79		300
	36		x			x			103		300

Through Bore Slip Rings											
Model	Rings	Rated Current			Rated Voltage			Size		Bore	Speed
		2A	5A	10A	120V	240V	380V	OD (mm)	L (mm)	ID (mm)	RPM
ADSR-T70	6		x	x			x	138	53	70	300
	12		x	x			x		71		300
	18		x	x			x		89		300
	24		x	x			x		107		300
ADSR-T100	6			x			x	186	78.9	101.6	300
	12			x			x		106.8		300
	18			x			x		134.7		300
	24			x			x		162.6		300

Remark: More circuits, higher speed, higher current / voltage and higher protection can be customized. FORJ and coaxial rotary joint can be integrated.

Specification

Electrical

Voltage 120VAC / 240VAC / 380VAC

Rating Current 2A / 5A / 10A/15A

Insulation Resistance 500MΩ@ 500VDC

Electric Noise 40mΩ max

Dielectric Strength 500VAC @ 50Hz

Mechanical

Operating Speed 300 rpm

Torque <0.05 N*M

Life 50,000,000 revolutions

Material

Contact Material Precious metal

Lead Wires Teflon wires

Housing Allumium alloy

Environmental

Working Temperature -40°C~ +80°C

Storage Temperature -45°C~ +85°C

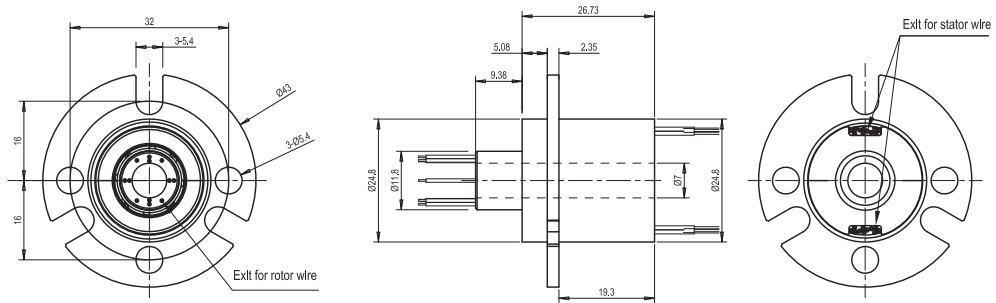
Humidity 95±3% (30°C+5°C)

Protection IP54

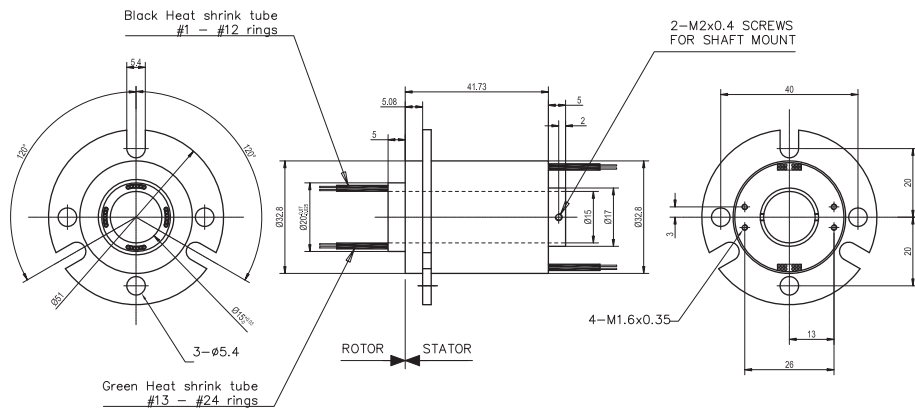
Options

- 20A or higher circuits
- Higher voltage
- Lead wires length
- flange mounting
- Higher working speed
- Stainless steel housing
- Higher protection
- Integrated with FORJ / coaxial rotary joint

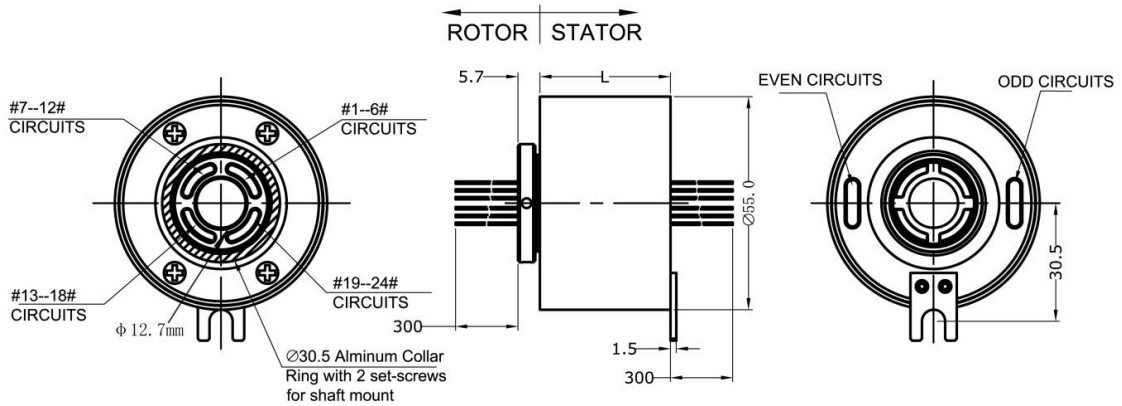
▶ ADSR-F7-12



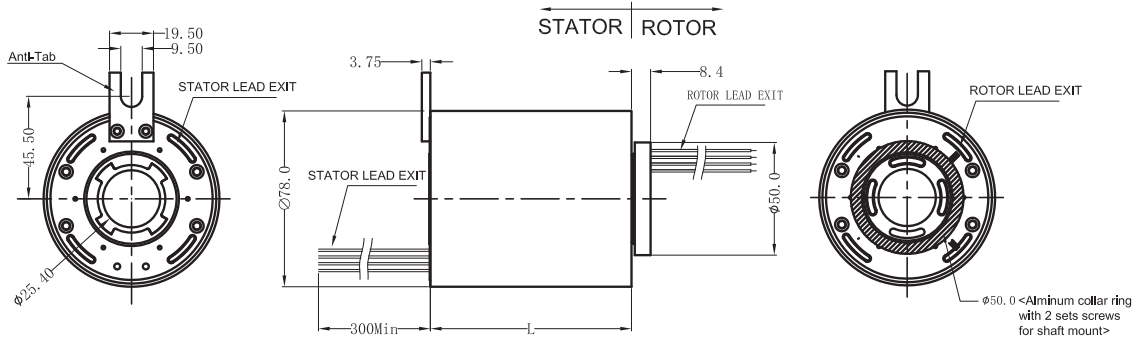
▶ ADSR-F15-24



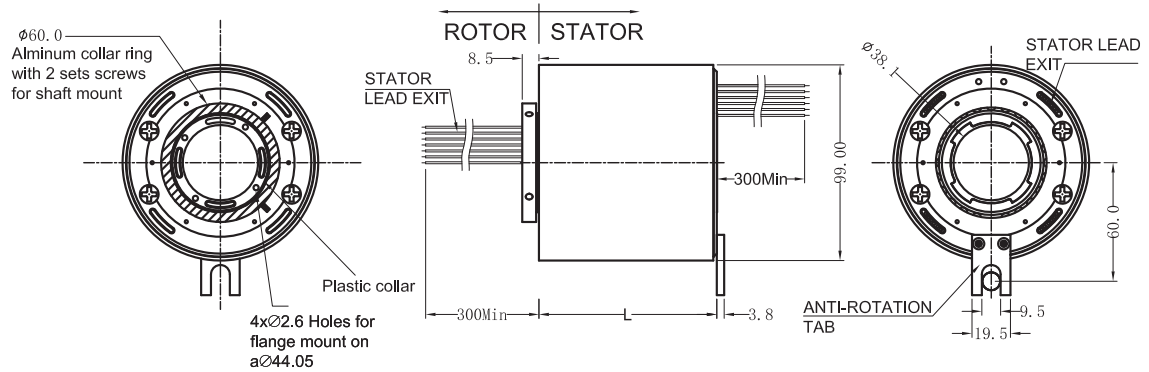
▶ ADSR-T12



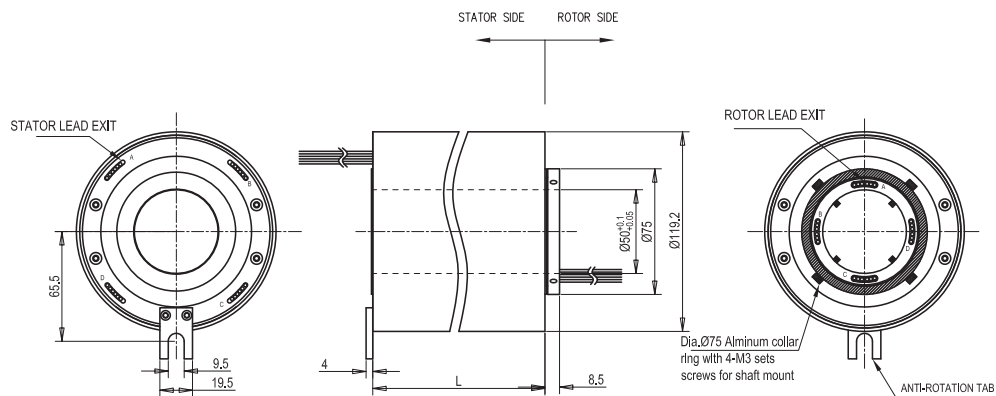
▶ ADSR-T25



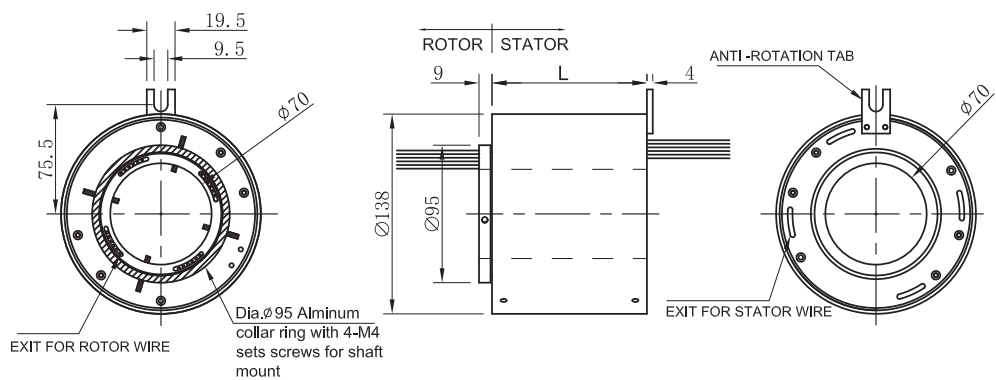
▶ ADSR-T38



▶ ADSR-T50



▶ ADSR-T70



▶ ADSR-T100

