

Military Capsule Slip Rings



To solve the multi-circuits and small size slip rings demands in aerospace and military applications, AOOD developed this series" small size great power" military capsule slip rings. These slip ring units adopt military custom materials, processed according to military standard of machining accuracy and concentricity, can incorporate up to 165 wires in miniature configuration with very light weight. Each unit is packaged in a self-contained envelop with robust configuration and powerful signal handling capability.

Features

- Multi-circuits and small size
- All lead wires are Irradiation crosslinking wires
- Up to 168 circuits
- Compatible with 1553B, 100M Ethernet, Gigabit Ethernet, RS422, RS485, RS232, analog video and various communication and control signals.
- Max 200rpm operating speed
- Gold on gold sliding contact

Advantages

- Extremely precise and compact configuration
- Light weight
- High reliability suitable for military operation conditions
- Long lifetime and maintenance-free
- Standard units and fast delivery

Typical Applications

- Missiles and airborne camera platforms
- Armed command vehicles
- Unmanned Aerial Vehicles(UAV) camera systems
- Radar systems

Military Capsule Slip Rings

Model	Rings	Current		Voltage		Size OD x L (mm)	Speed (RPM)
		1A	2A	48V	120V		
ADSR-JC-38	38	X		X		22 x 37	200
ADSR-JC-44	44	X		X		22 x 54.5	200
ADSR-JC-36	36	X		X		22 x 57.3	200
ADSR-JS-60	60	X		X		25 x 91.7	200
ADSR-JS-78	78	X		X		18.4 x 54.6	200
ADSR-JS-168	168	X		X		52 x 115	200

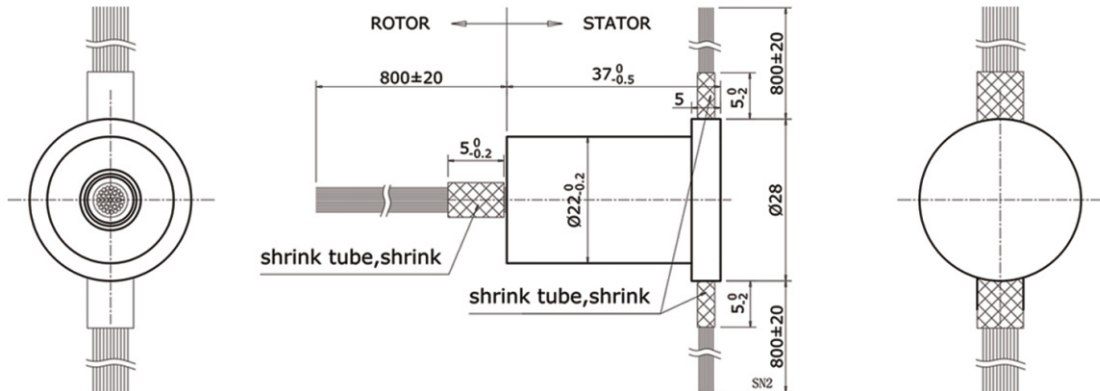
Remark: Compatible with 1553B, 100M Ethernet, Gigabit Ethernet, RS422, RS485, RS232, analog video and various communication and control signals.

Specification

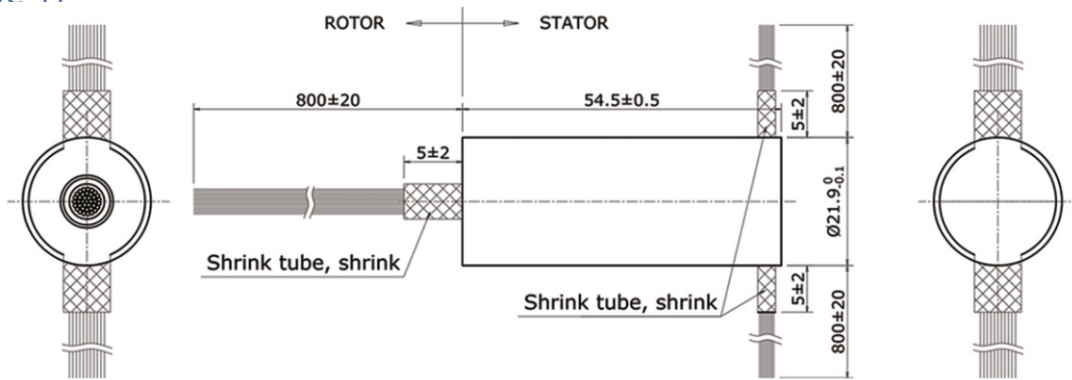
Electrical	
Voltage	48VDC (higher optional)
Rating Current	1A (2A or higher optional)
Insulation Resistance	200MΩ @ 500VDC
Electric Noise	20mΩ max
Dielectric Strength	500VAC @ 50Hz
Mechanical	
Operating Speed	200rpm
Torque	<0.01 N*M
Life	10,000,000 revolutions
Materials	
Contact Material	Gold on gold
Lead Wires	300mm AWG#30 irradiation crosslinking wires
Housing	Aluminium alloy

Environmental	
Working Temperature	-40°C ~ +80°C
Storage Temperature	-45°C ~ +85°C
Humidity	95±3% (30°C+5°C)
Protection	IP54
Vibration	MIL-STD-810G
Shock	MIL-STD-810G
Options	
■ Lead wires length	
■ Higher current / voltage	
■ flange/ no flange	
■ Higher protection	
■ Stainless steel housing	

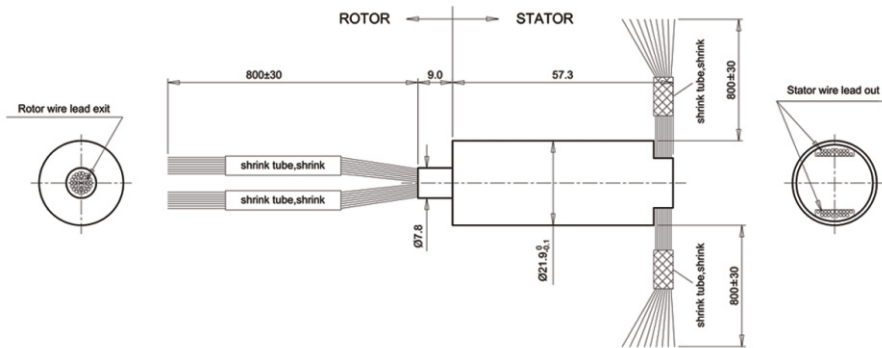
▶ ADSR-JC-38



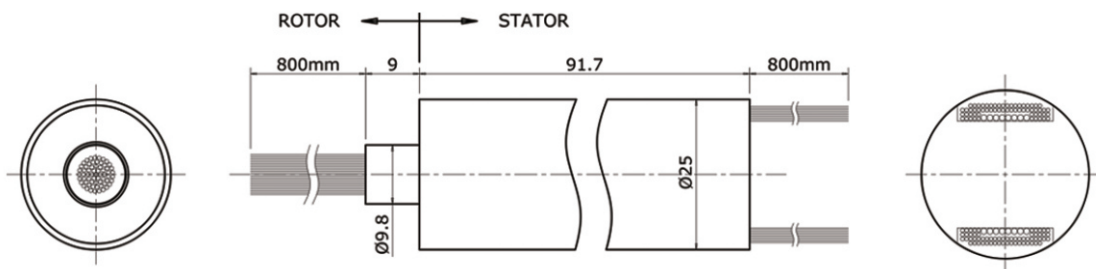
▶ ADSR-JC-44



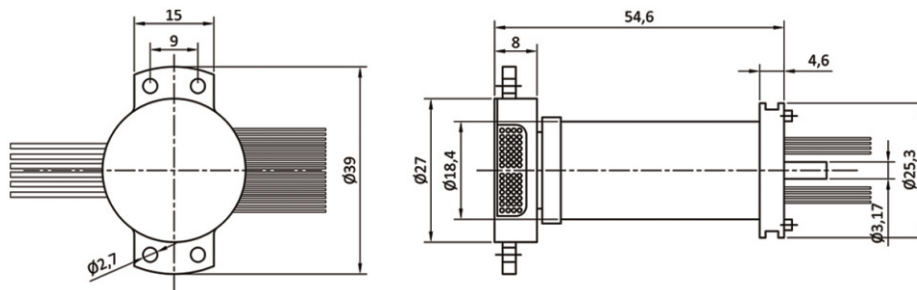
▶ ADSR-JC-36



▶ ADSR-JS-60



▶ ADSR-JS-78



▶ ADSR-JS-168

