

## Capsule Slip Rings



AOOD capsule slip rings are compact designed to provide free signal / data and power transmission for any electromechanical system that requires unrestrained, continuous rotation while transferring signal / data and power from a stationary platform to a rotating platform. They are superior of handling all kinds of signals and data, can incorporate up to 200 circuits and each rated at 2A, higher current 5A or 10A circuits can be combined. They are ideal for use where mounting space is limited and critical, without sacrificing current handling capability. They support high bandwidth and data transfer rate up to Gbit/s range. Moreover, they can be provided with waterproof package which can directly operate underwater with IP68 protection.

### Features

- Standard 8mm, 12.7mm, 22mm, 25.4mm diameter units available
- Standard 6 circuits, 12 circuits, 24 circuits, 36 circuits and 60 circuits configurations available
- Gold on gold contact
- Superior signal / data handling performance
- Compatible with data bus protocols
- Support USB, 100M Ethernet, Gigabit Ethernet and coaxial signal

### Advantages

- Compact design
- Low electrical noise and low drive torque,
- Low wear and cost-effective
- Maintenance-free and long lifetime
- Off the shelf and quick shipment

### Typical Applications

- CCTV pan / tilt camera
- Indexing and rotary tables
- Motion control systems
- Packaging equipment
- Eddy current inspection equipment
- Medical equipment
- Cleaning robots

Capsule Slip Rings									
Model	Circuits	Current	Signal				Size	Standard Voltage (VAC)	Speed (RPM)
		2A	USB	100M Ethernet	Gbit Ethernet	Coaxial	OD x L (mm)		
ADSR-M6S	6	6					12.7 x 14	120	300
ADSR-M12S	12	12					12.7 x 19.7	120	300
ADSR-K12	12	12					15.5 x 34	120	300
ADSR-K18	18	18					15.5 x 34	120	300
ADSR-K24	24	24					15.5 x 34	120	300
ADSR-C6	6	6					22 x 19.6	120	300
ADSR-C12	12	12					22 x 26.5	120	300
ADSR-C15	15	15					22 x 30	120	300
ADSR-C24	24	24					22 x 42.6	120	300
ADSR-C36	36	36					22 x 57.3	120	300
ADSR-C60	60	60					25.4 x 91.7	120	300
ADSR-C6-E	12	8		1			22 x 26.5	120	300
ADSR-C6-G	15	7			1		22 x 30	120	300
ADSR-C20-E	24	20		1			22 x 42.6	120	300
ADSR-C16-G	24	16			1		22 x 42.6	120	300
ADSR-C8-U	12	8	1				22 x 26.5	120	300
ADSR-C20-U	24	20	1				22 x 42.6	120	300
ADSR-C16-E-U	24	16	1	1			22 x 42.6	120	300
ADSR-C12-G-U	24	12	1		1		22 x 42.6	120	300
ADSR-C12-G-C	24	12			1	1	22 x 42.6	120	300
ADSR-C26-G-C	36	26			1	1	25.4 x 57.3	120	300

Remark: Flange, current, voltage, speed and higher protection can be customized.

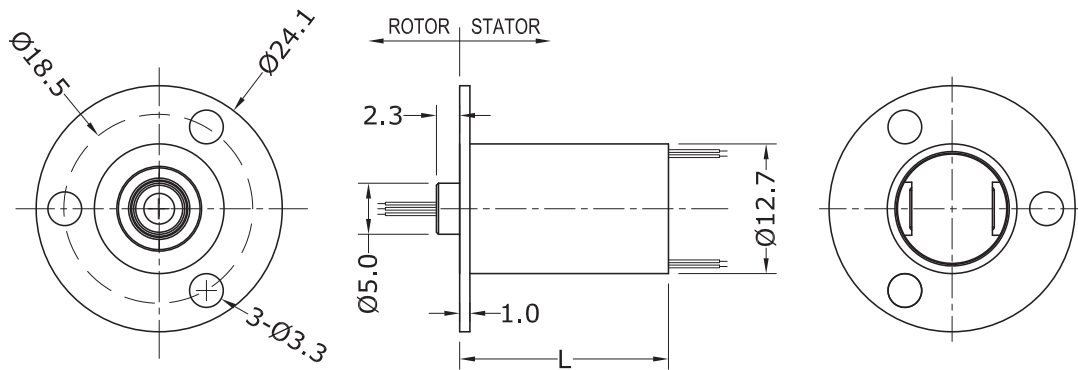
# Specification

Electrical	
Voltage	120VAC (240VAC optional)
Rating Current	2A
Insulation Resistance	500MΩ@ 500VDC
Electric Noise	20mΩ max
Dielectric Strength	500VAC @ 50Hz
Mechanical	
Operating Speed	300 rpm
Torque	<0.01 N*M
Life	10,000,000 revolutions
Material	
Contact Material	Gold on gold
Lead Wires	300mm AWG#28 Teflon wires
Housing	ABS plastic or alluminium alloy

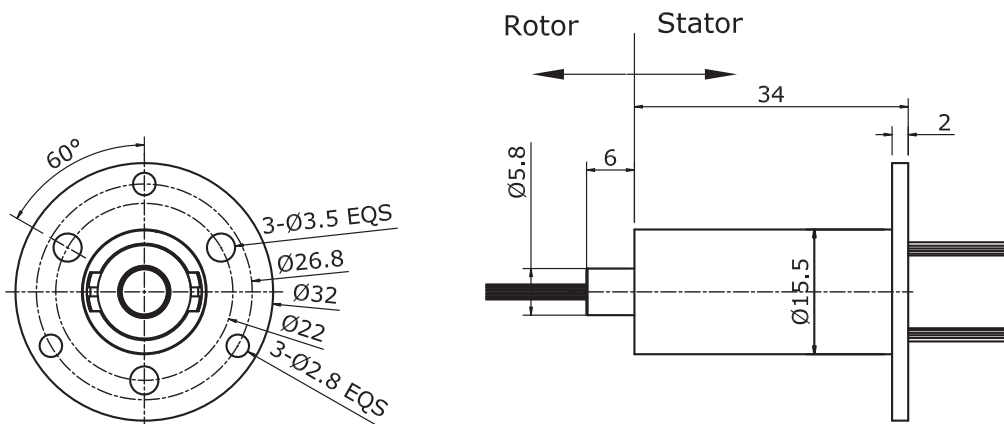
Environmental	
Working Temperature	-40°C~ +80°C
Storage Temperature	-45°C~ +85°C
Humidity	95±3% ( 30°C+5°C )
Protection	IP54

- Options**
- 5A / 10A circuits
  - Higher voltage
  - Lead wires length
  - Flange/ no flange
  - Higher working speed
  - Alluminium alloy housing
  - Higher protection

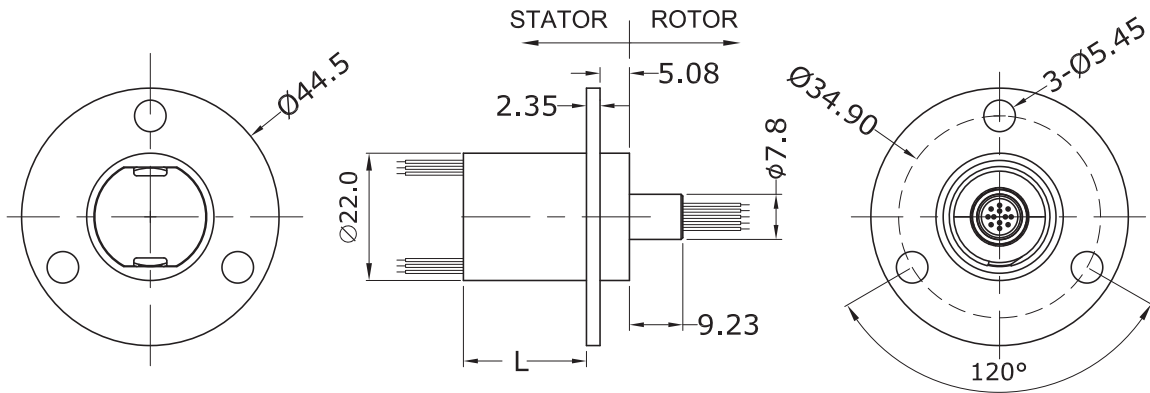
► ADSR-M series



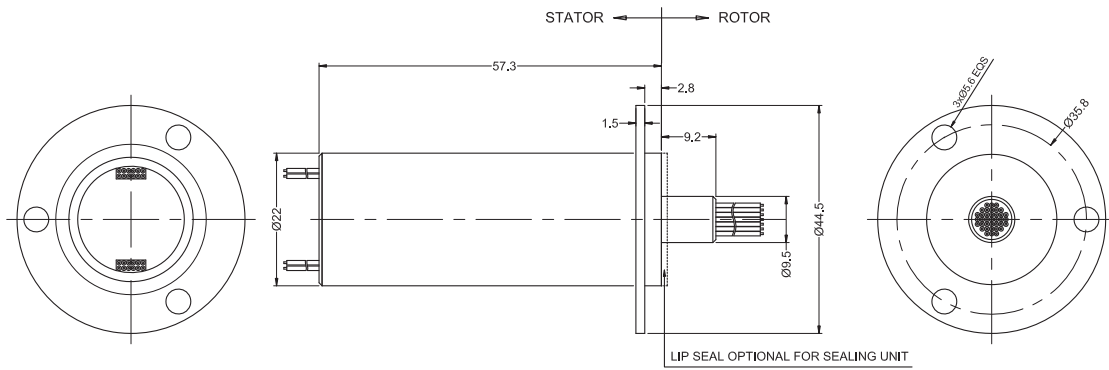
► ADSR-K24



► **ADSR-C series**



► **ADSR-C36**



► **ADSR-C60**

